

# The New "CS"

## 4" Submersible Pump



**Built in the U.S.A.**  
NSF/ANSI 61 Annex G



**GOULDS**  
WATER TECHNOLOGY  
a xylem brand

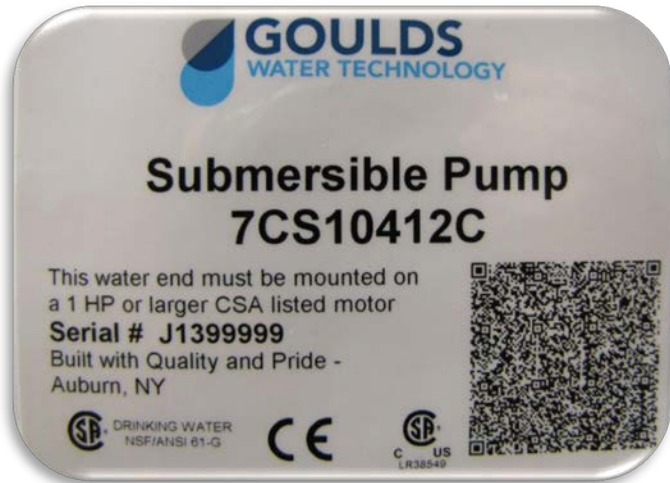


(317) 346-4110  
[www.drainagesolutionsinc.com](http://www.drainagesolutionsinc.com)

# The water you need, when you need it

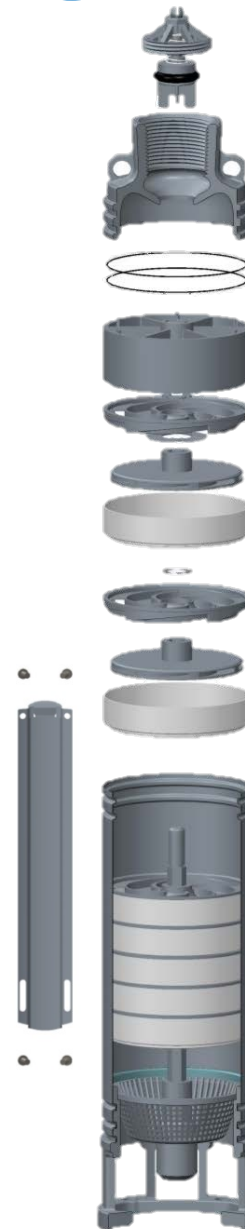
## 100% Performance Tested “Smart” Label

- Pump & Motor part numbers
- Serial Number
- Assembly Date & Time
- Performance Test Data



# CS Product Range

Model	Order Number	Required HP	Stages
5CS	5CS05R	½	9
	5CS05	½	12
	5CS07	¾	15
	5CS10	1	20
7CS	7CS05R	½	7
	7CS05	½	10
	7CS07	¾	13
	7CS10	1	17
	7CS15	1½	22
10CS	10CS05R	½	5
	10CS05	½	7
	10CS07	¾	10
	10CS10	1	12
	10CS15	1½	17
	10CS20	2	20
13CS	13CS05	½	5
	13CS07	¾	7
	13CS10	1	10
	13CS15	1½	12
	13CS20	2	17
	13CS30	3	21
18CS	18CS07	¾	6
	18CS10	1	8
	18CS15	1½	11
	18CS20	2	14
	18CS30	3	19
25CS	25CS10	1	7
	25CS15	1½	9
	25CS20	2	11
	25CS30	3	15



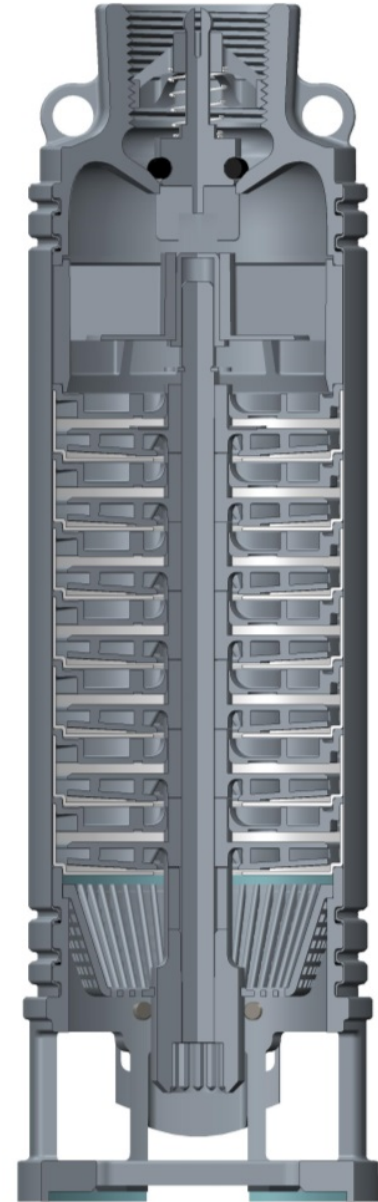
## MATERIALS OF CONSTRUCTION

Part Name	Material
Discharge Head	AISI 303 Stainless Steel
Check Valve Poppet	Delrin®
Check Valve O-ring	NBR
Bearing	Proprietary Engineered Polymer
Shaft Retaining Ring	AISI 301 SS
Diffuser	Lexan®
Impeller	Noryl®/GFN2
Bowl	AISI 304 SS
Shim	AISI 304 SS
Inlet Strainer	Glass Filled Engineered Composite
Screws - Cable Guard	AISI 304 SS
Motor Adapter	AISI 303 Stainless Steel
Casing	AISI 304 SS
Shaft	AISI 304 SS
Coupling	AISI 304 SS
Cable Guard	AISI 304 Stainless Steel

# 50+ Years of Field Proven Design

## Floating Stack Design

- Superior Sand Handling
- AISI 304SS Bowl
- Lexan® Diffuser
- Noryl® Impeller

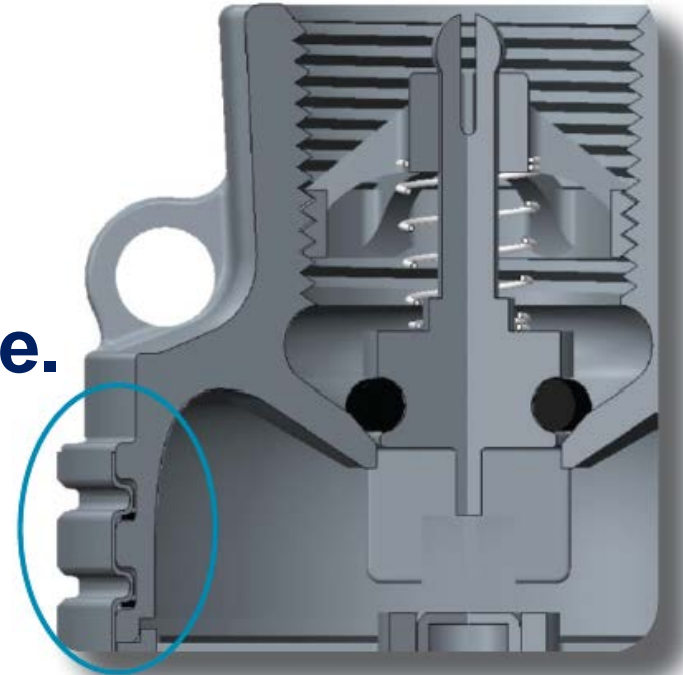


# Quad-Lock Technology

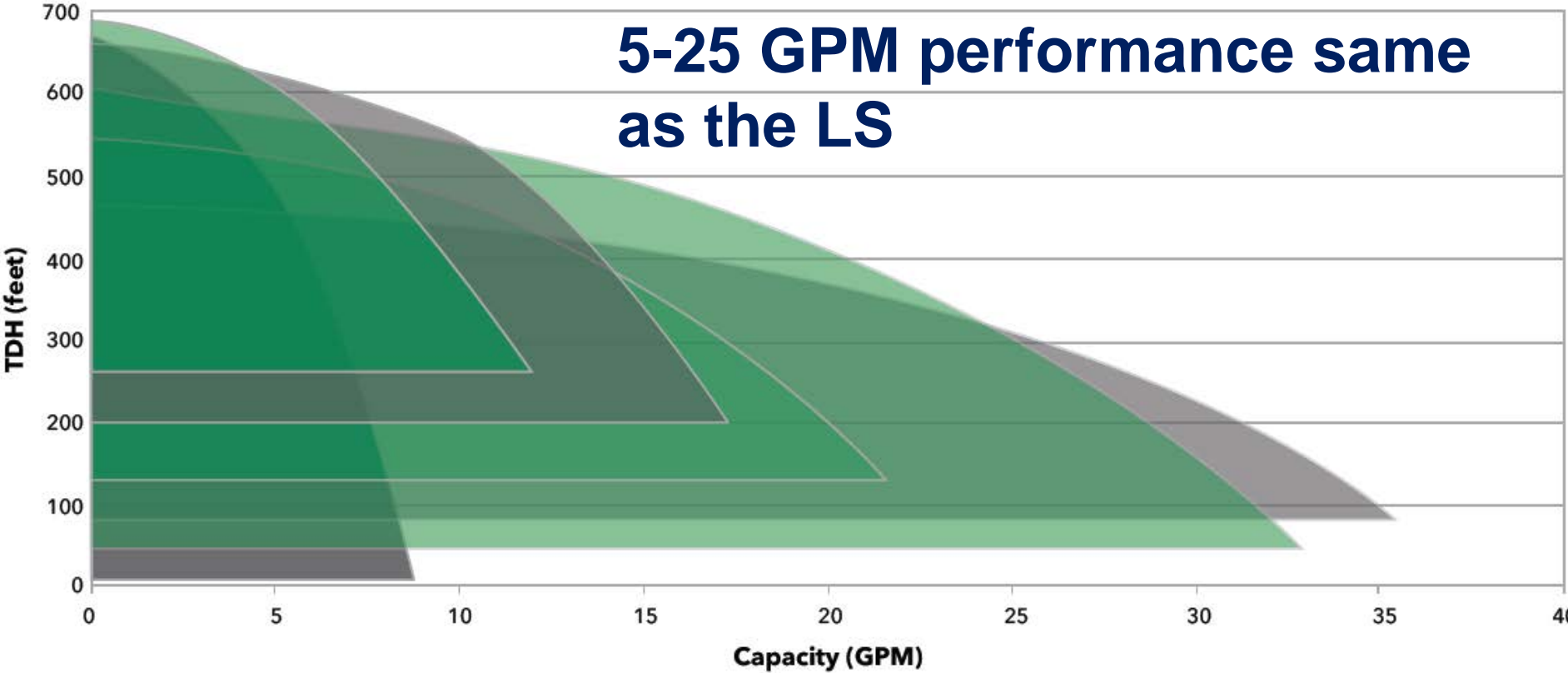
**4 permanently roll-formed grooves provides one of the strongest connections available.**

**Provides the durability and sealing needed in the toughest conditions.**

**Tensile strength tested to exceed the strength of poly and PVC pipe**



# We've Got You Covered!



# Sales Tools

## Spec Sheet

### CS

60 HZ STANDARD CAPACITY  
4" SUBMERSIBLE PUMPS





#### FEATURES

Powered by CertiPro 4" motors for dependable operation and long service life.

Stainless Steel Construction provides strength and corrosion resistance.

Noryl® Impellers and Lexan® Diffusers deliver excellent abrasion resistance.

Floating Impeller Stack has proven itself for over 50 years as a superior sand handling and durable pump design.

Built-in, spring loaded, O-ring seal check valve which is easily removed without pump disassembly.

Crimped design for strength and will not separate in the harshest conditions.

#### MATERIALS OF CONSTRUCTION

Part Name	Material
Discharge Head	ASTI 303 Stainless Steel
Check Valve	Ductile®
Poppet	NBR
Check Valve O-ring	NBR
Bearing	Proprietary Encapsulated Polymer
Shaft	ASTI 301 SS
Retaining Ring	ASTI 301 SS
Diffuser	Lexan®
Impeller	Noryl®/Noryl®
Head	ASTI 304 SS
Case	ASTI 304 SS
Isolator Strainer	Glass Filled Engineered Composite
Screws	ASTI 304 SS
Motor Adapter	ASTI 303 Stainless Steel
Casing	ASTI 304 SS
Clamp	ASTI 304 SS
Coupling	ASTI 304 SS
Cable Guard	ASTI 304 Stainless Steel

#### WATER END DATA

Model	Order No.	Req. HP	Stages	Weight (lbs)	Length (ft)
5CS	5CS08	1/8	9	8	13.3
	5CS20	1/8	12	9	15.3
	5CS30	1/8	15	11	17.4
7CS	7CS10	1	20	13	20.8
	7CS20	1/4	7	4	12.1
	7CS26	3/8	10	7	14.2
10CS	10CS7	1/2	13	8	14.4
	10CS10	1	17	9	19.2
	10CS15	1 1/2	22	12	24.0
13CS	13CS08	3/4	5	4	10.3
	13CS20	1 1/2	7	7	11.9
	13CS26	2	10	8	14.0
18CS	18CS10	1	12	9	15.3
	18CS15	1 1/2	17	12	18.8
	18CS20	2	20	13	20.8
25CS	25CS20	1 1/2	5	4	10.3
	25CS27	3	7	7	11.9
	25CS30	1	10	8	14.0
13CS	13CS15	1 1/2	12	9	15.3
	13CS20	2	17	12	18.8
	13CS26	3	21	15	22.7
18CS	18CS27	3	4	7	12.7
	18CS10	1	8	8	13.9
	18CS15	1 1/2	11	10	14.4
25CS	25CS20	2	14	11	19.0
	25CS30	3	19	15	23.3
	25CS10	1	7	8	13.4
25CS	25CS15	1 1/2	9	9	15.5
	25CS20	2	11	10	17.4
	25CS30	3	15	14	21.1




## Sales Sheet

### CS

60 HZ STANDARD CAPACITY  
4" SUBMERSIBLE PUMPS





#### Featuring QUAD-LOCK TECHNOLOGY

4 permanently roll-formed grooves provides one of the strongest connections available. Provides the durability and sealing needed in the toughest conditions. Tensile strength tested to exceed the strength of poly and PVC pipe.

#### FLOATING STACK DESIGN

Over 50 years of field proven design • Superior Sand Handling  
ASTI 304SS Bowl • Lexan® Diffuser • Noryl® Impeller

#### STRENGTH & DURABILITY

Stainless Steel Construction: Discharge head, motor adapter, casing bowls, cable guard and pump shaft.

Engineered Polymer bearing provides excellent resistance to abrasion and wear.

#### PEACE OF MIND

100% Performance Tested  
NSF/ANSI-61 Approved • NSF/ANSI-372




## Technical Bulletin



#### TECHNICAL BROCHURE

85-25CS 80

#### FEATURES

**Powered for Continuous Operation:** All ratings are within the working limits of the motor as recommended by the motor manufacturer. Pump can be operated continuously without damage to the motor.

**Sand Handling Design:** Our face clearance, floating impeller stack has proven itself for over 50 years as a superior sand handling, durable pump design.

**FDA Compliant Non-Metallic Parts:** Impellers, diffusers and bearing spiders are constructed of glass filled engineered composites. They are corrosion resistant and non-toxic.

**Discharge Head:** Cast 303 stainless steel for strength and durability. Two cast-in safety line loops for installer convenience.

**Motor Adapter:** Cast 303 stainless steel for rigid, accurate alignment of pump and motor. Easy access to motor mounting nuts using standard open end wrench.

**Stainless Steel Casing:** Polished stainless steel is strong and corrosion resistant.

**Has Shaft Design:** Six sided shafts for positive impeller drive.

**Engineered Polymer Bearings:** The proprietary, engineered polymer bearing material is strong and resistant to abrasion and wear. The enclosed upper bearing is mounted in a durable Noryl® bearing spider for excellent abrasion resistance.

**Check Valve:** Screws into discharge head from the top, easily removed for drain-back systems or replacement without disassembling the pump. Spring loaded, o-ring poppet design for positive seal in all conditions.

**Crimped Design:** For strength, will not separate in the harshest conditions.

## 5CS, 7CS, 10CS, 13CS, 18CS & 25CS

5-25 GPM, 1/8 - 3 HP, 60 HZ, SUBMERSIBLE PUMPS




# Selling points

- Quad-Lock technology
- Cast Stainless Steel construction
- GWT proven hydraulics
- Spring loaded check valve can be easily removed without disassembly
- Optional wrap around strainer
- Built in the USA



(317) 346-4110  
[www.drainagesolutionsinc.com](http://www.drainagesolutionsinc.com)